

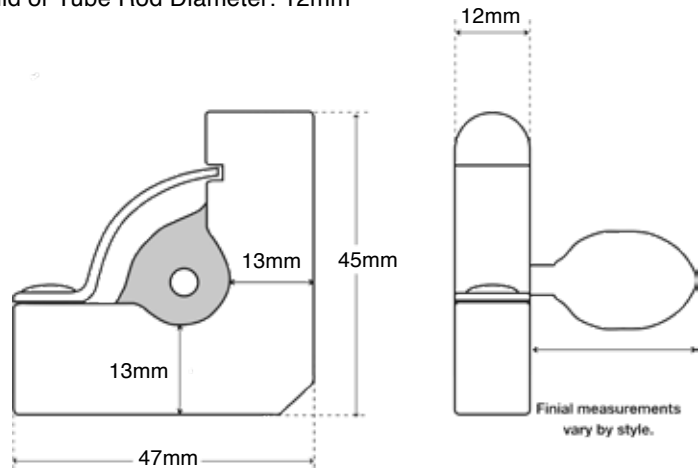
INSTALLATION INSTRUCTIONS

Marquis collection

Marquis Stair Rods slide into each bracket approximately 12mm.
Finials attach to the bracket, not the rod.

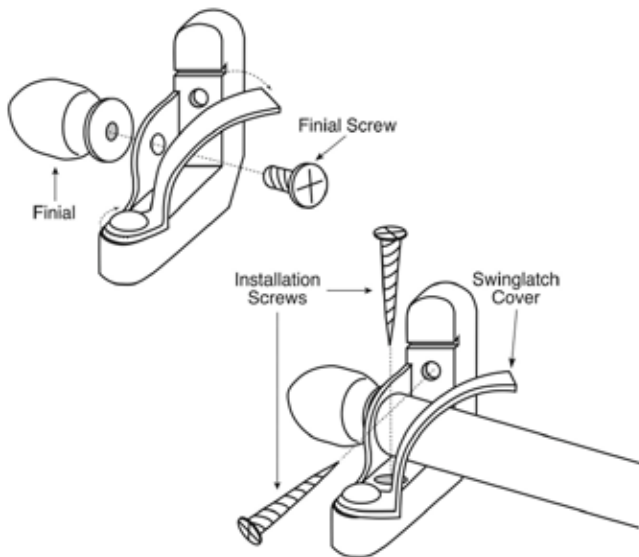
FINIAL	LENGTH
Pine	33mm
Round	18mm
Urn	34mm
Acorn	32mm
Ball	27mm

Solid or Tube Rod Diameter: 12mm



Finial measurements vary by style.
Please see chart at left.

JUST FOLLOW THESE SIMPLE STEPS.



1. Remove each screw from the finials. Align holes from brackets and finial. Thread screw into both so they are tightly connected.
2. Find the desired position of the brackets by inserting the rod into the brackets and laying on stairs. Runner should be centered between brackets.
3. Open the swing latch on each bracket exposing the installation screw holes.
4. Install one bracket onto the stairs using screws provided or other anchors suitable for stair material. Drilling a pilot hole first is recommended. Insert the rod into the installed bracket and place remaining bracket on the other end to confirm exact position of the bracket.
5. Install remaining brackets using the same method as above.

Always use a non-slip pad and/or another means of installation. Stair Rods alone are not a form of carpet installation. All parts are lacquer coated to resist tarnishing. Do not use brass cleaners or other abrasives. To clean, simply wipe with a soft dry cloth. Periodically check and tighten all screws and hardware.

Marquis Stair Rods are for decorative use only.