

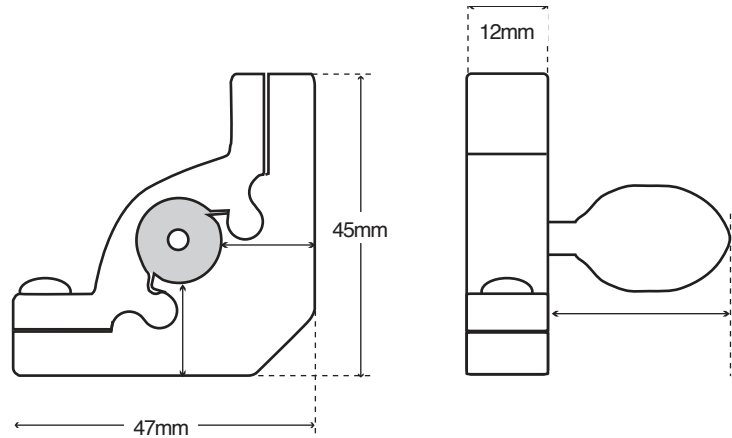
INSTALLATION INSTRUCTIONS

# Chateau collection

Chateau Stair Rods slide into each bracket approximately 12mm.  
Finials attach to the bracket, not the rod.

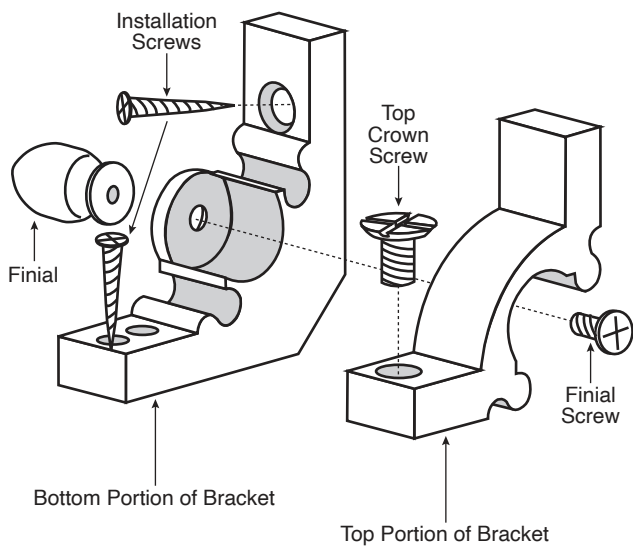
Rod Diameter: 12mm

FINIAL	LENGTH
Pine	33mm
Round	18mm
Urn	34mm
Acorn	32mm
Thistle	32mm
Pyramid	30mm
Ball	27mm



Finial measurements vary by style.  
Please see chart at left.

JUST FOLLOW THESE SIMPLE STEPS.



1. The carpet runner must be installed using another method of installation. Chateau Stair Rods are for decorative use only.
2. Attach finials to the brackets using small screws provided in finials.
3. Locate desired position of the brackets by inserting the rod into the brackets and laying on the stairs. Positioning both the left and right bracket an equal distance from the side edges of the runner is the most preferable position.
4. For each step, install one bracket onto stairs using screws provided or other anchors suitable for stair material. Drilling a pilot hole first is recommended. Insert the rod into the installed bracket and place remaining bracket on the other end to confirm exact position of the bracket on the other side.
5. Install remaining bracket using the same method as above.

Always use a non-slip pad and/or another means of installation. Stair Rods alone are not a form of carpet installation. All parts are lacquer coated to resist tarnishing. Do not use brass cleaners or other abrasives. To clean, simply wipe with a soft dry cloth. Periodically check and tighten all screws and hardware.

Chateau Stair Rods are for decorative use only.